

Skonwgëmëk Coloring Book



Skonogëmëk: School

Potawatomi Vowels

é-slash

a-amish

ë-bumps

o-boat

i-feet

ê-hook

tth-chip

è-speck

th-jump

e-lint

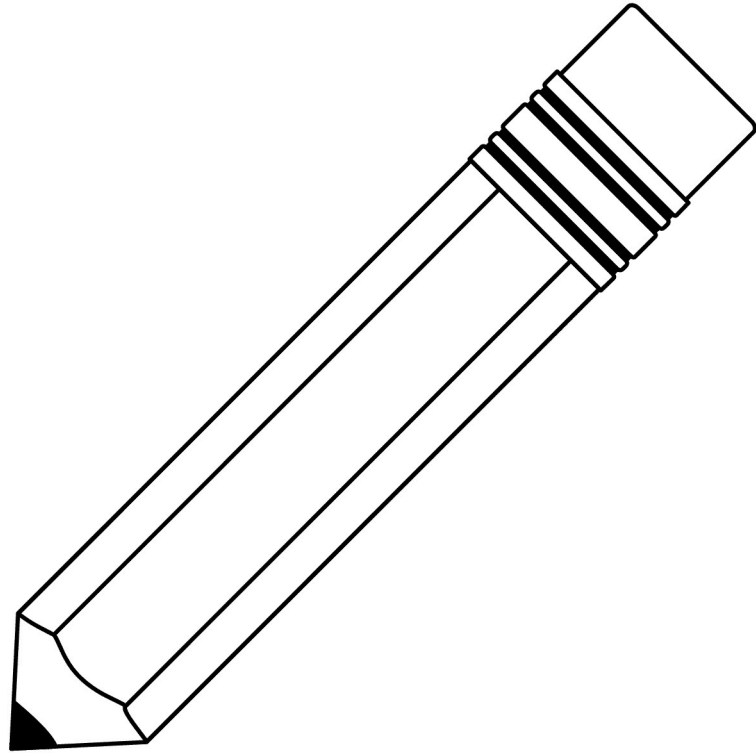
g-green



Skonwgëmëk

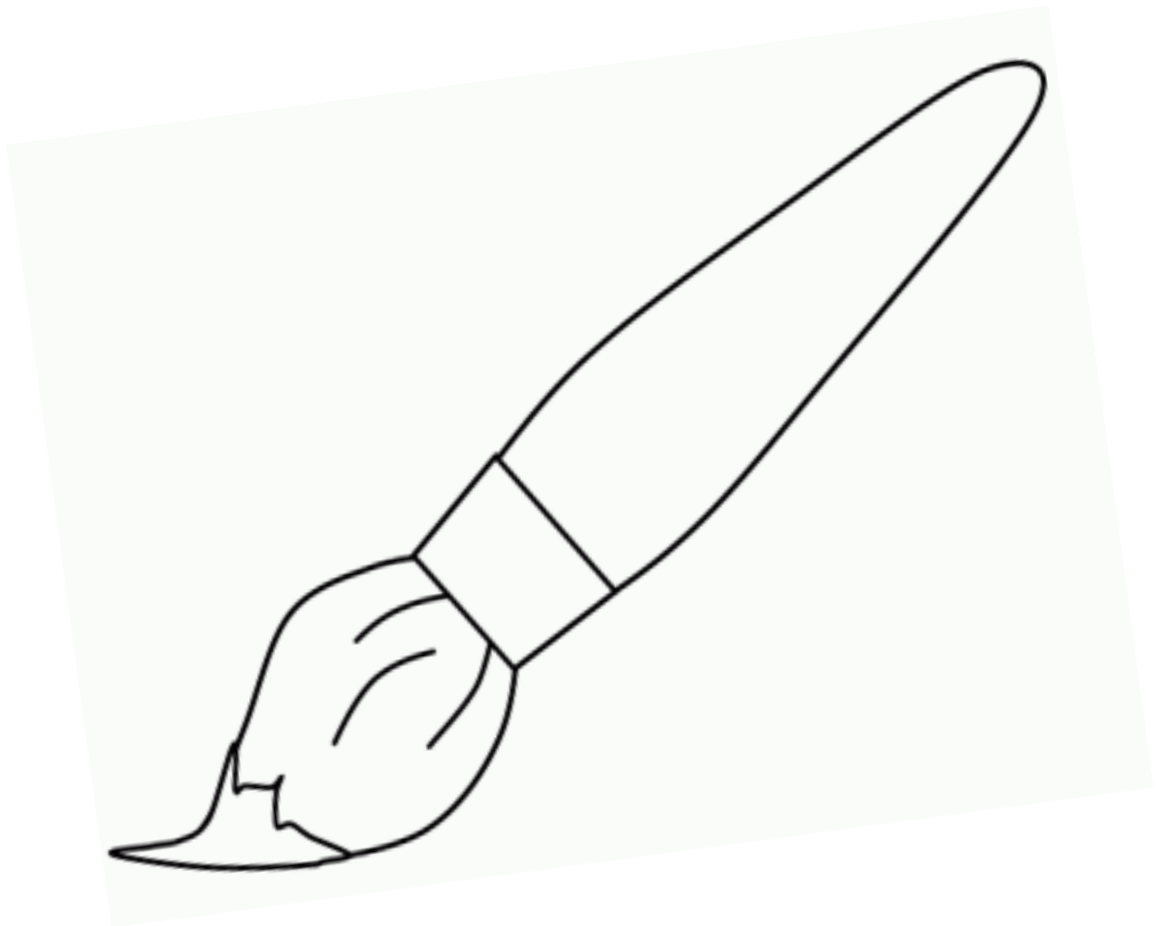


Skonwdabyan



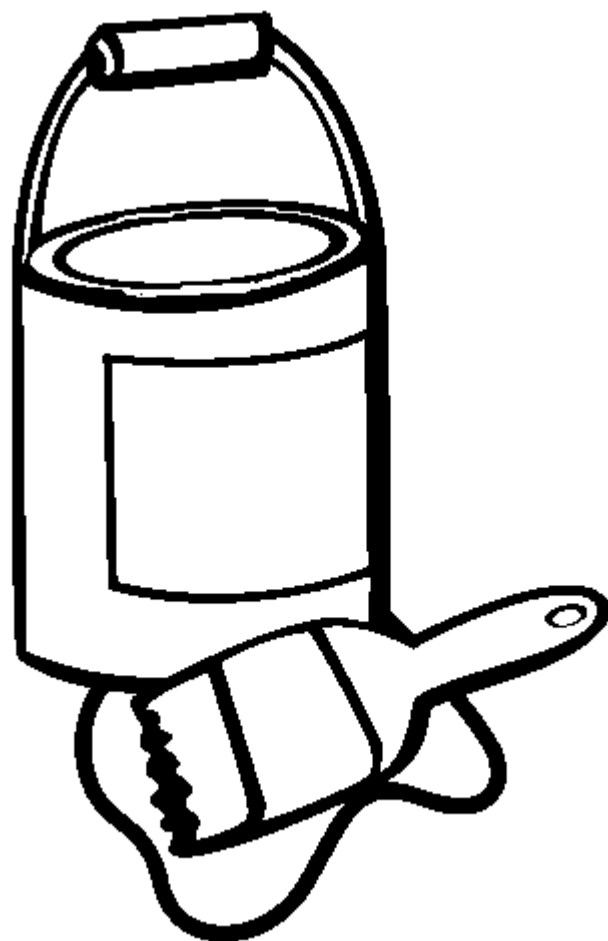
Wshebyégen

Plural: Wshebyégenen

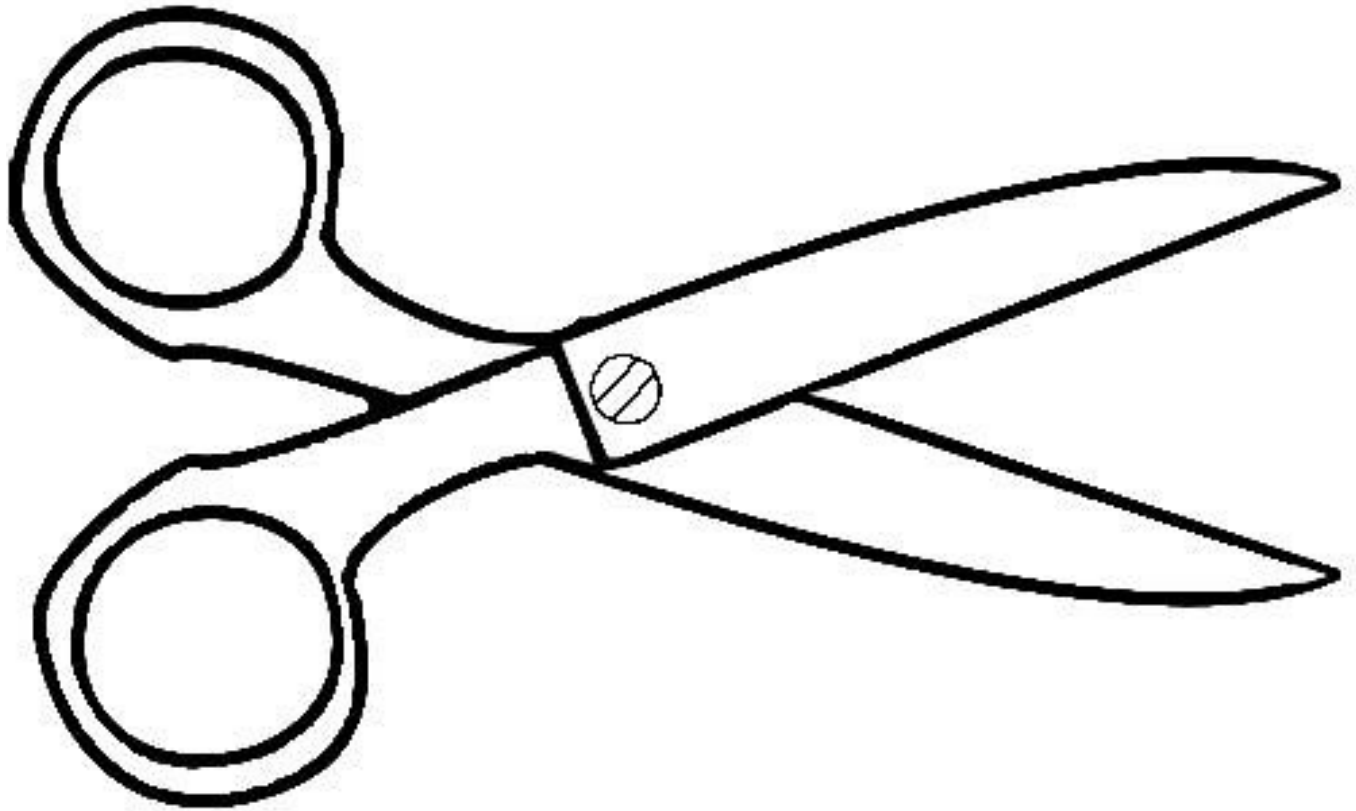


Shobyégenaték

Plural: Shobyégenatkon

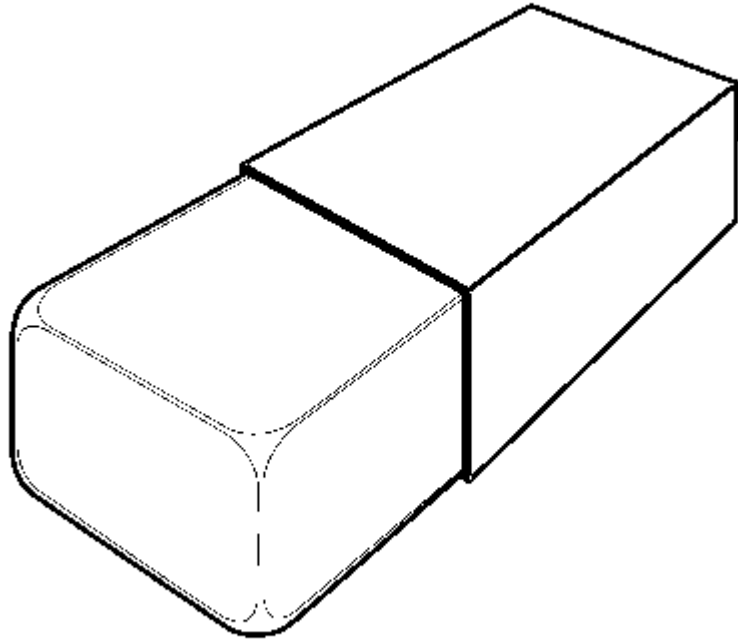


Shobyégen



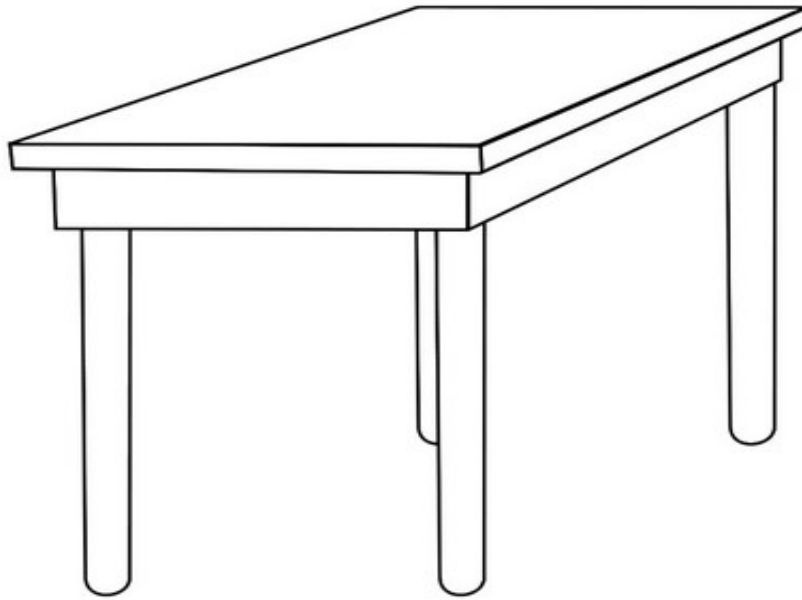
Moschwagen

Plural: Moschwagnen



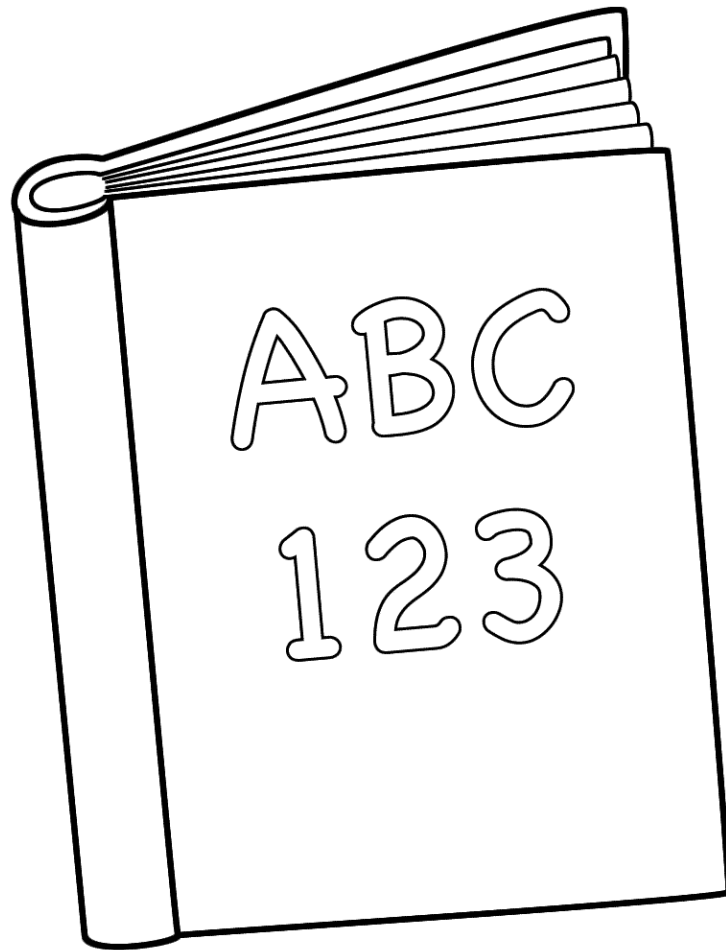
Gzibyégën

Plural: Gzibyégenen



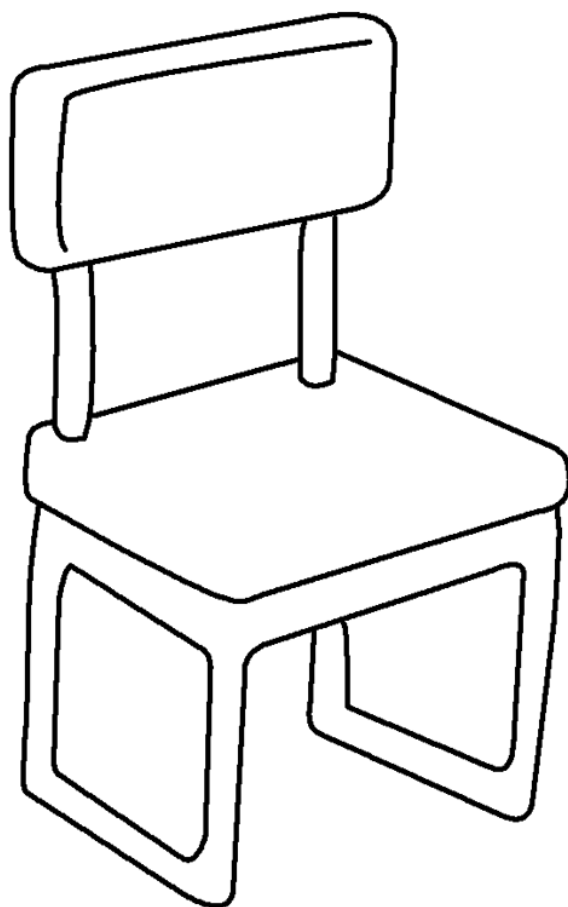
Dopwen

Plural: Dopwenen



Mbok

Plural: Mboken



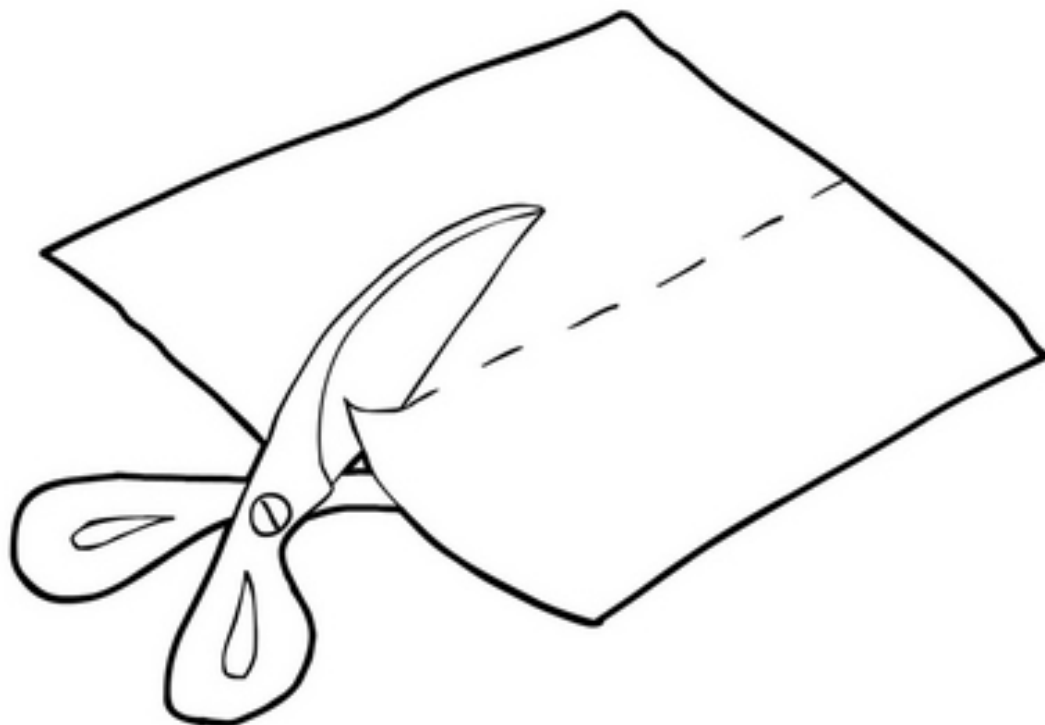
Pedyébwen

Plural: Pedyébwenen



Dbegiswan

Plural: Dbegiswanäk



Gishgzhen

Command: Cut it



Shobyé'ën i

Command: Paint it



Mzenbyé'ën i

Command: Draw it



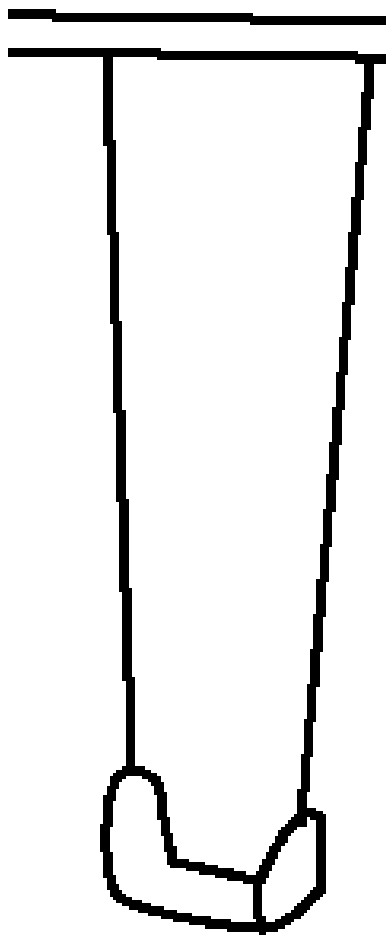
Bzegwë'ën i

Command: Paste it

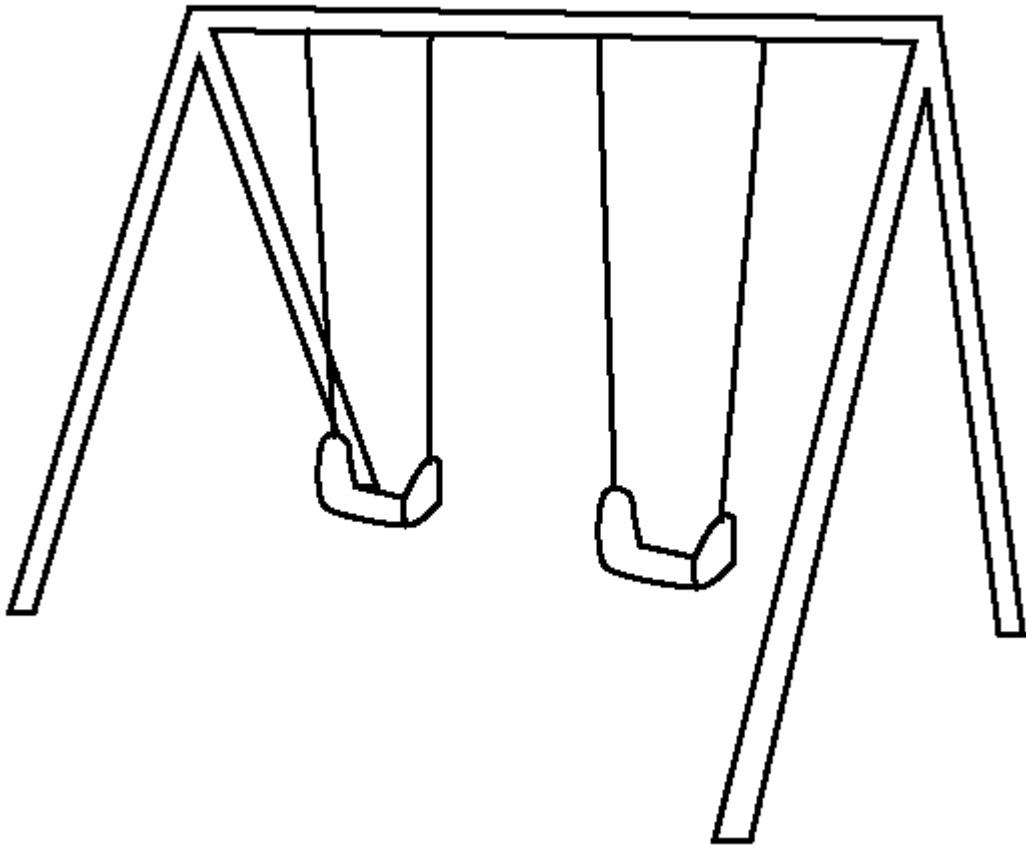


Gwakwashkwzé'on

Command: Jump! Jump! Jump!



Wéwébzowën



Wéwébzownen



Wéwébzon

Command: Swing!



Zhoshkë'on

Command: Slide!



Skonwgēmĕk coloring book created by Pokagon Band Language Program